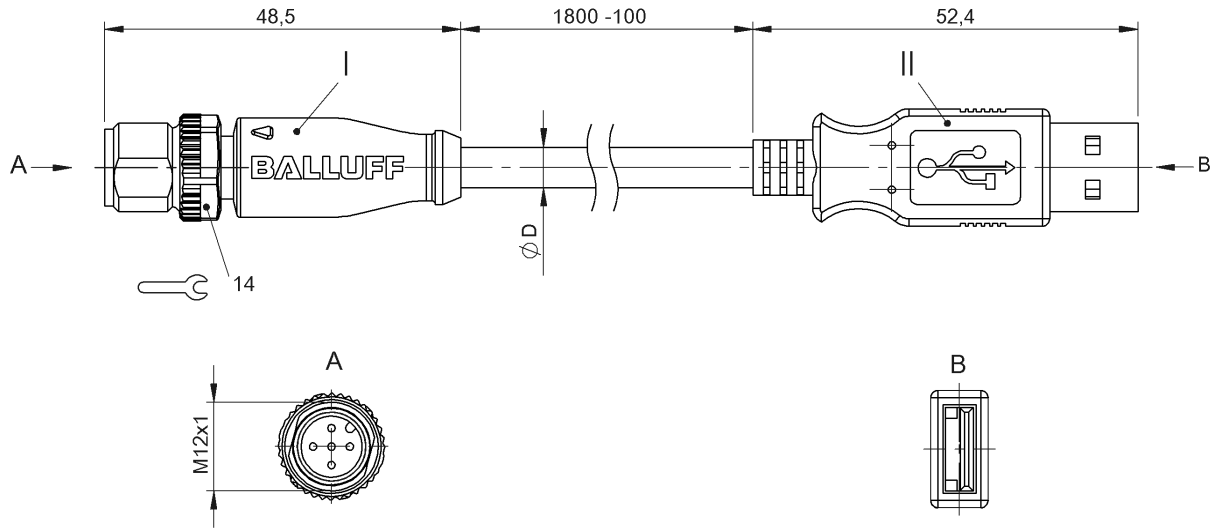


Double-Ended Cordsets

BCC M415-U024-8F-696-VX04T8-018

Order Code: BCC0CR2

BALLUFF



Basic features

Approval/Conformity	CE WEEE
---------------------	------------

Electrical connection

Cable	PVC black, 1.8 m
Cable diameter D	4.30 mm ±0.20 mm
Conductor cross-section	28 AWG
Connection 1	M12x1-Male, straight, 5-pin, A-coded
Connection 2	USB-A-Male, straight, 4-pin
Number of conductors	4
System	Molded/Molded

Electrical data

Operating voltage U_b	5 VDC
Rated current (40 °C)	0.1 A

Remarks

AIDA conformal
Enclosure rating per IEC 60529 or ISO 20653, only in screwed state with the associated mating piece.

Environmental conditions

Cable temperature, fixed routing	-40...105 °C
Cable temperature, flexible routing	-5...105 °C
IP rating	IP68/IP20

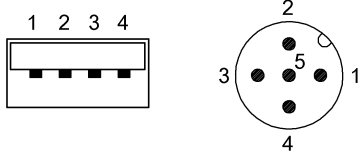
Material

Cable jacket, material	PVC
Material contact carrier	PUR/PBT
Material contacts	Brass
Material cover nut	Die-cast zinc
Material grip	PUR/PVC

Mechanical data

Cable jacket, color	black
Cable length L	1.80 m
Tightening torque pigtail	0.6 Nm/-

Connector Drawings



II	I
PIN 1: +5V	PIN 2: D-
PIN 2: D-	PIN 3: GND
PIN 3: D+	PIN 5: D+
PIN 4: GND	

Wiring Diagrams

